

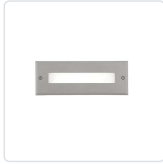
BRISTOL ER95610

WALL

PROJECT



ER95610-BK
Black



ER95610-GY
Gray

SPECIFICATION DETAILS

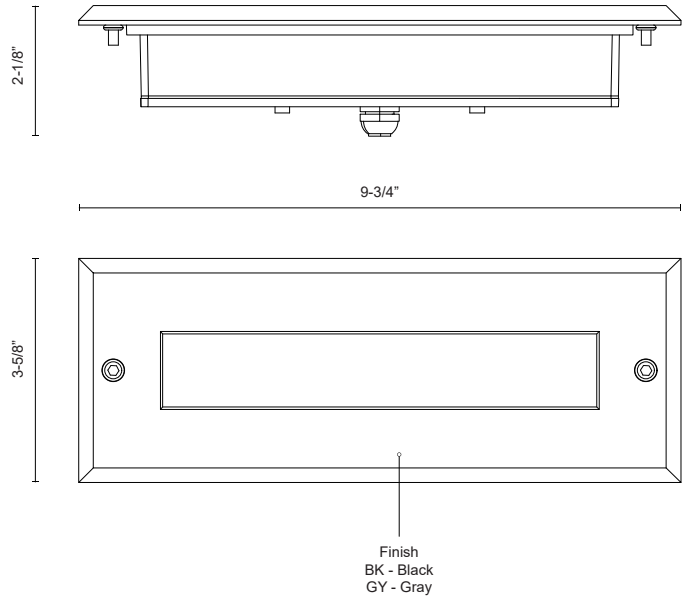
Fixture Dimensions	W9-3/4" x H3-5/8" x E2-1/8"
Height from center	1-3/4"
Light Source	AC LED Module
Wattage	8W
Total Lumens	580lm
Delivered Lumens	BK-330lm*; GY-350lm*;
Voltage	120V
Color Temperature	3000K
CRI (Ra)	90CRI
Optional Color Temps	2700K - 5000K Available, Minimum Order Quantities Apply
LED Rated Life	50,000 hours
Dimming	100% - 10%, ELV Dimmer (Not Included)
Diffuser Details	White PC Diffuser
ADA Compliant	Yes
Location	Wet, IP65
Illumination Direction	Front
Mounting Style	Wall Mount, All Orientation
Material	Aluminum
Paint Finish	BK02; GY01;

* For custom options, consult factory for details.

* For warranty information, please visit www.kuzcolighting.com/warranty

DESCRIPTION

This 10 inch long exterior recessed light is simple and beautiful. The rectangular die-cast aluminum housing acts as a border for the rectangle of LED light. Bristol's polymeric diffuser ensures you never have hot spots of light. Use in both exterior and interior locations. Requires either back-box with fixture ER72410-MBOX (Dry Location) or ER72410-CBOX(Wet Location). Back-box sold separately.



KUZCO

CANADA: 19054 28TH AVENUE - SURREY, BC V3Z 6M3

USA: 3035 E. LONE MOUNTAIN ROAD - LAS VEGAS, NV 89081

WWW.KUZCOLIGHTING.COM

© 2024 KUZCO LIGHTING. ALL RIGHTS RESERVED.

COMMENT

